



Infrared LED Light kit for eFinity EDGE FREE® Fixed Fame Screen

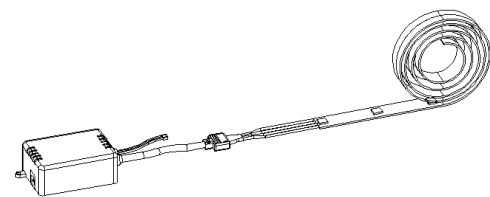
USER'S GUIDE

Specifications			
Dynamic Mode	22 modes	Demo Mode	Yes
Static Color	20 colors	Direct Color Select	Yes
PWM Grade	256 grades	Output Color Switchable	Yes, 6 options
Brightness Grade	5 grades	Operating Voltage	3 volts
Speed Grade	10 levels	Remote distance	Up to 30 feet

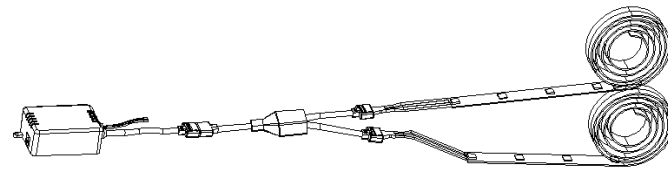
Hardware Parts List

a. LED Strip + Controller

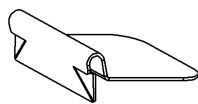
Diagonal Models 84"-110"
x 1 LED Strip



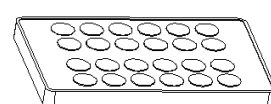
Diagonal Models 120"-158"
x 2 LED Strips



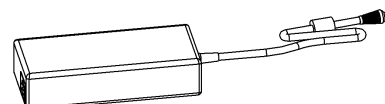
b. LED clip



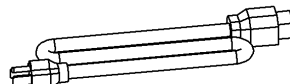
c. Remote Control



d. Power Supply

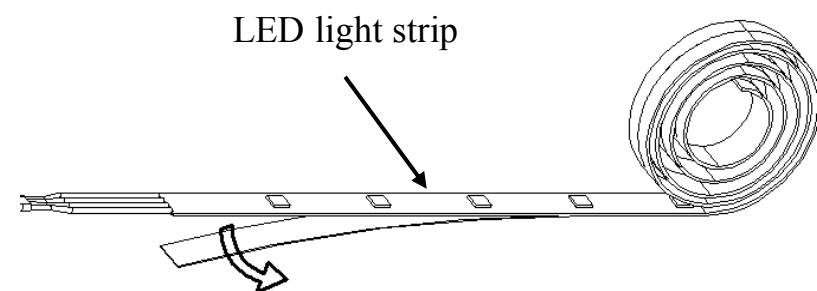


e. Power Cord

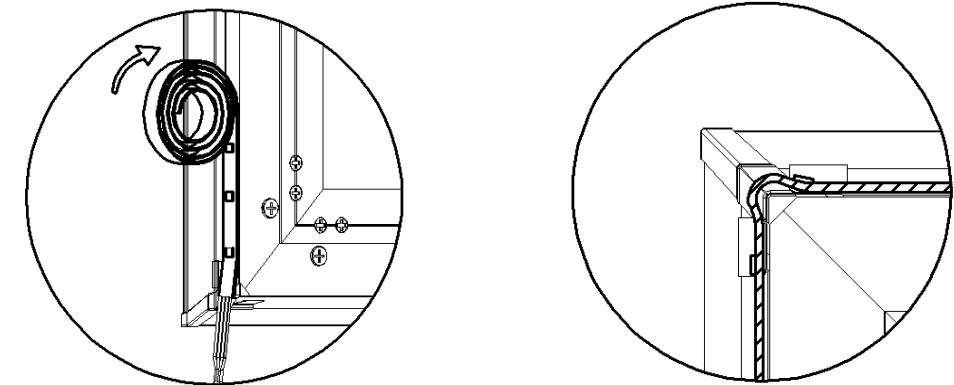


LED Light Assembly:

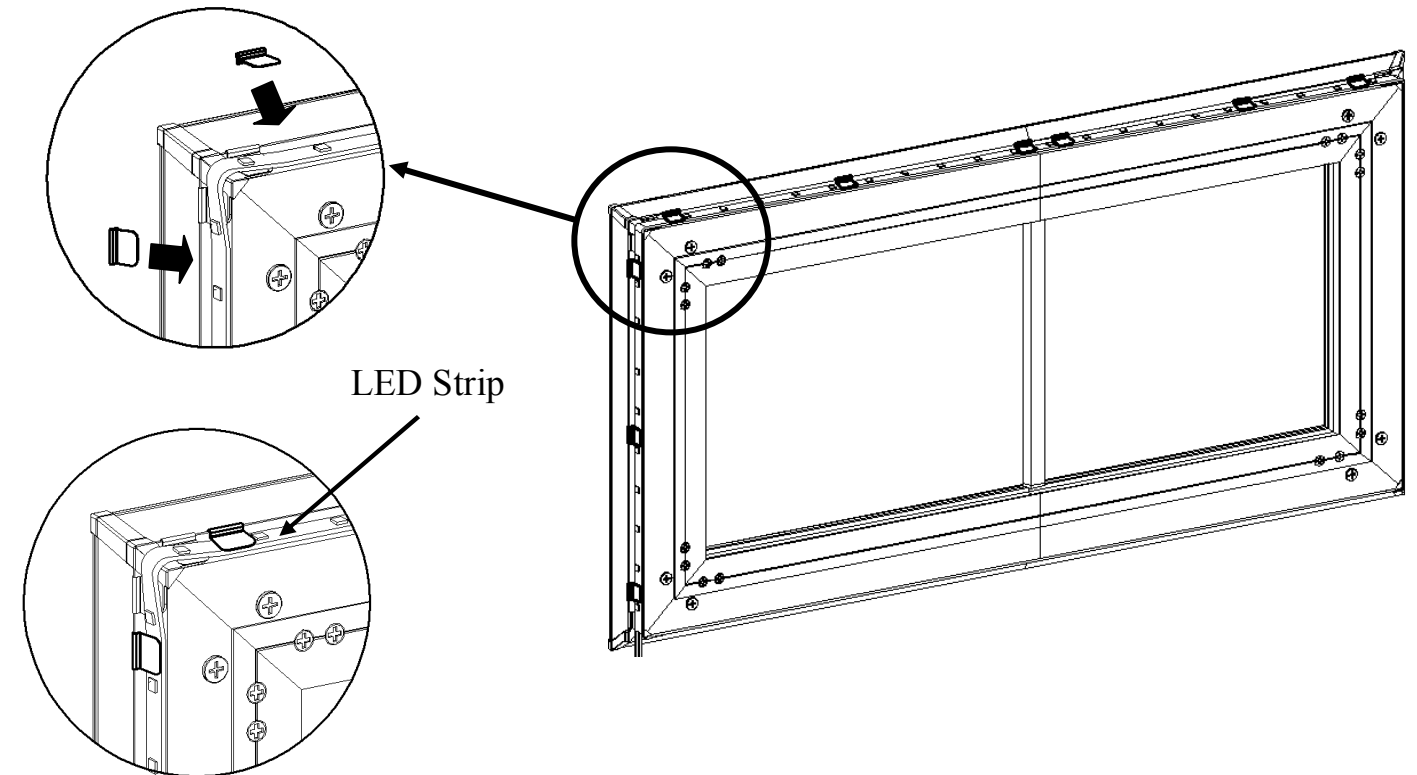
Step 1. Peel off the back to expose the adhesive.



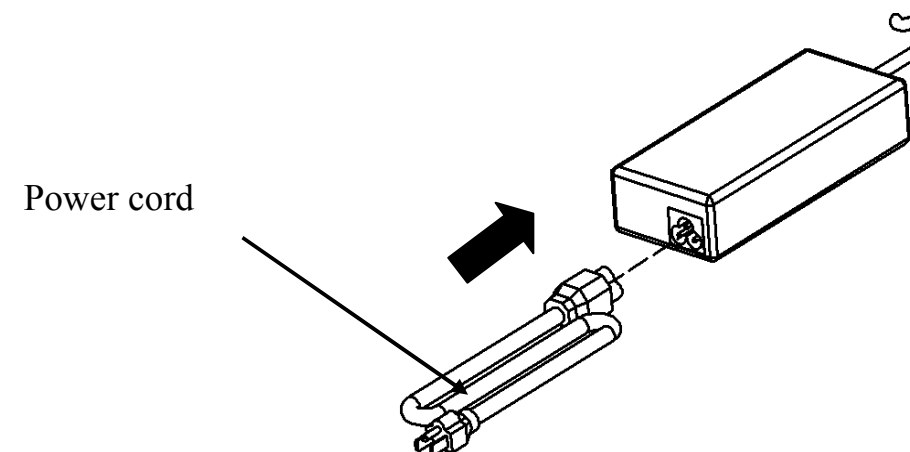
Step 2. Stick the LED light strip on the back of the frame slowly and smoothly. Continue all along the entire frame.



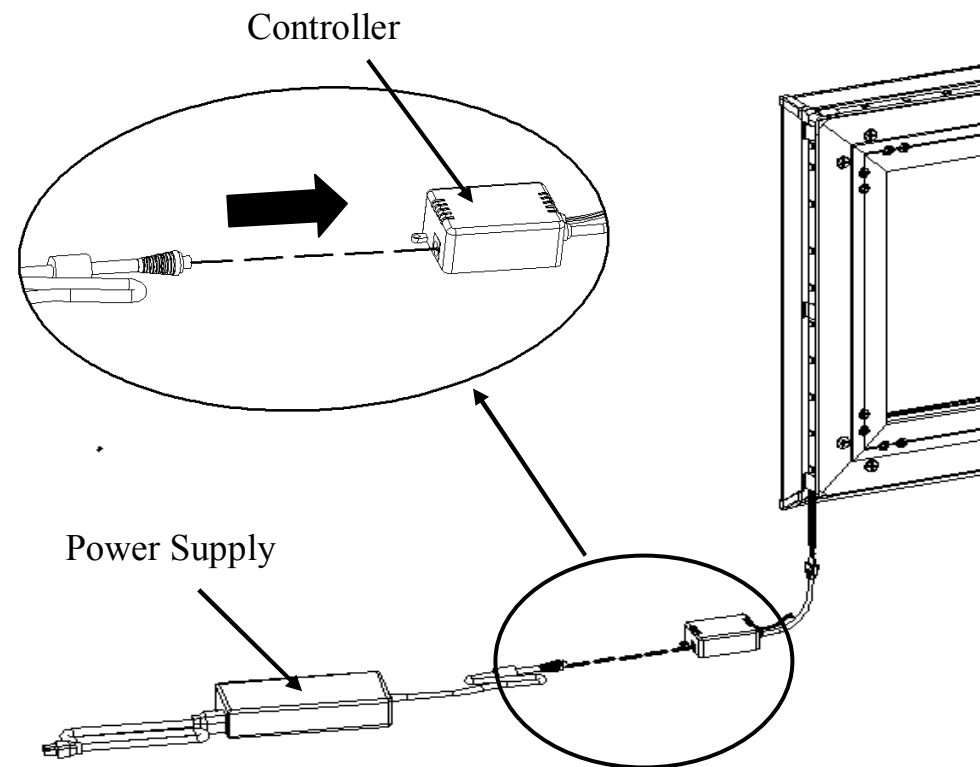
Step 3. Secure the LED light strip by using the LED clip as shown below.



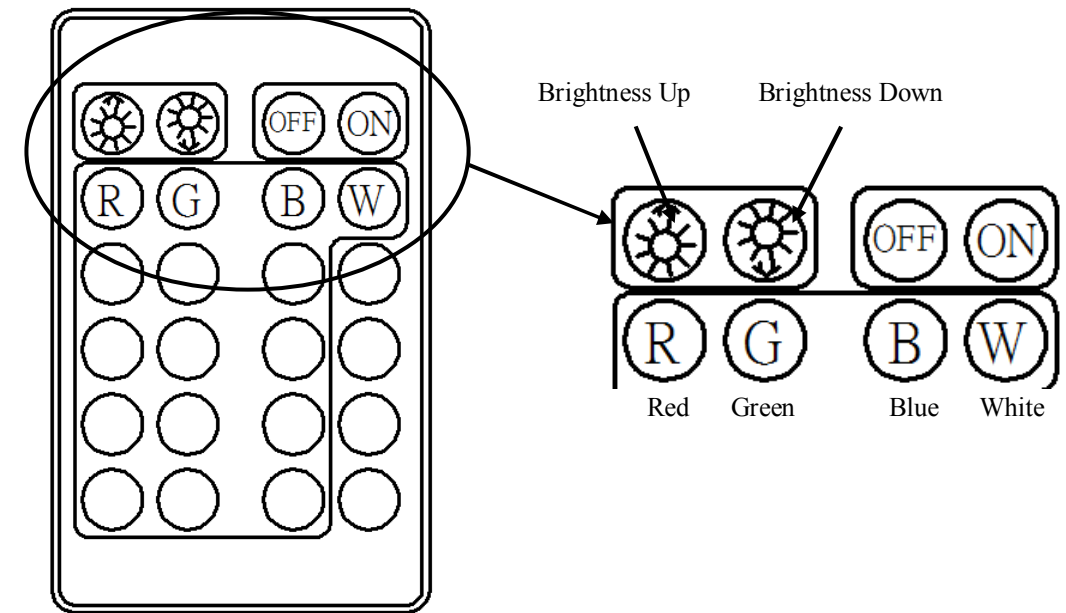
Step 4. Plug the Power Cord to the Power Supply



Step 5. Connect the LED Controller to the Power Supply



Step 6. Remote Control Operation



00FF09 (Brightness UP)	00FF1d (Brightness Down)	00FF1F (OFF)	00FF0d (ON)
00FF19 (Red)	00FF1b (Green)	00FF11 (Blue)	00FF15 (White)
00FF17	00FF12	00FF16	00FF4d (FLASH)
00FF40	00FF4c	00FF04	00FF00 (STROBE)
00FF0A	00FF1E	00FF0E	00FF1A (FADE)
00FF1C	00FF14	00FF0F	00FF0C (SMOOTH)

Disclaimer (Warning)

Please be cautious when handling and installing the LED light kit as the sensors are delicate. Avoid any actions that may damage the kit such as bending, stretching, ripping, or stepping on the lights, as any damage that occurs with such activities will void the warranty. Elite's LED kit was designed for the sole purpose of being installed onto the back of the Polar star eFinity frame. Do not use the LED kit for alternative purposes such as, but not limited to; decorative purposes, a primary source of light, installation on other appliances, etc. Any damage that may occur from improper installations will not be covered under the warranty policy.

For Technical Support or an Elite Prime Vision contact in your area, visit

www.epvscreens.com